

**PK 27001 EL | 35001 EL**

# **ROBUST DESIGN THANKS TO HOSES ROUTED INSIDE THE COLUMN AND EXTENSION CYLINDERS INSIDE THE BOOM**

**LIFETIME EXCELLENCE**

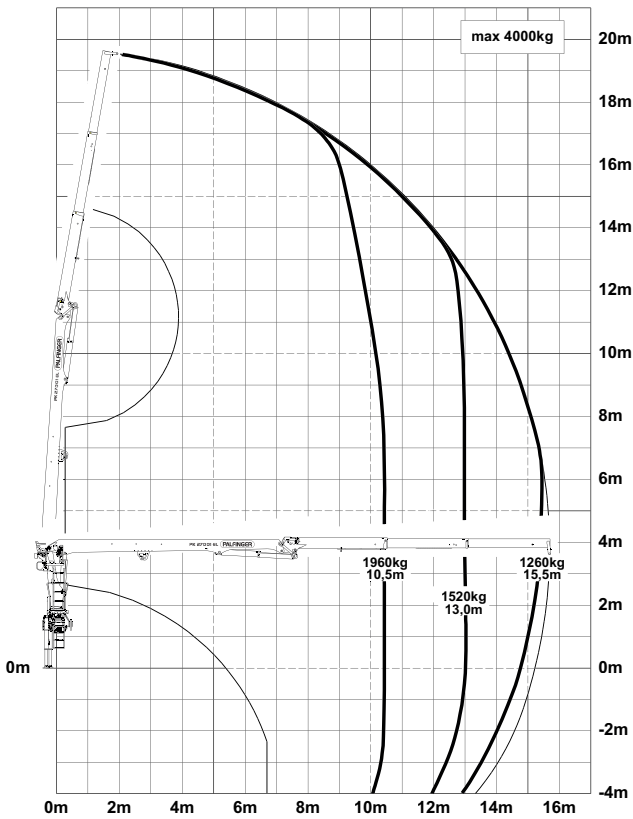




PK 27001 EL

# HIGH PERFORMANCE

## PK 27001 EL A SL 4



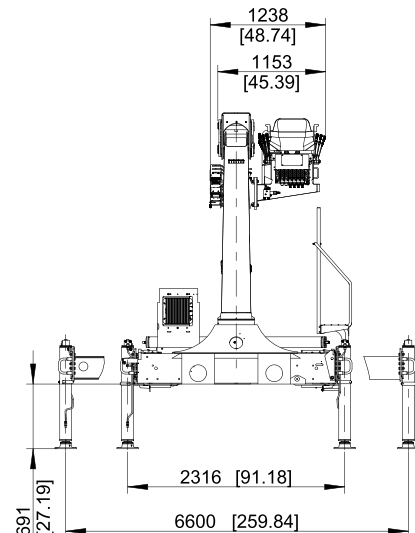
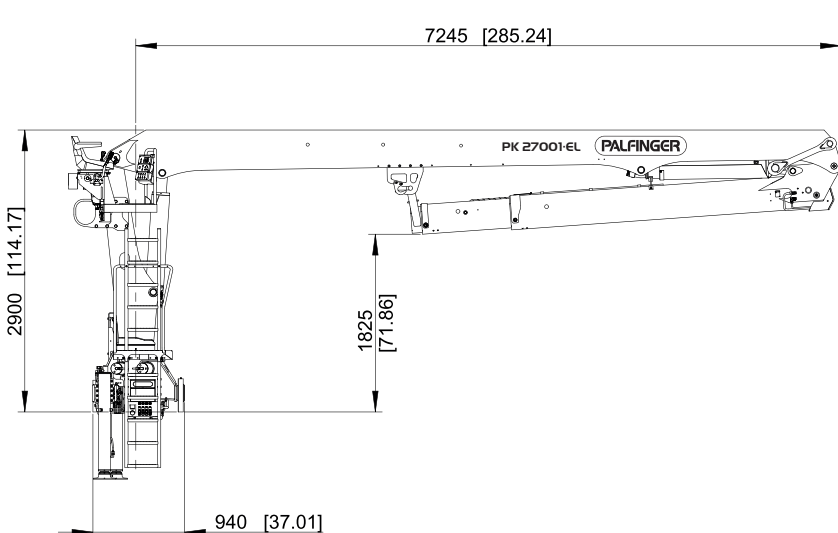
## Lifting capacities

max.		4000 kg	8,800 lbs
10.5 m	34 ft	1960 kg	4,300 lbs
13.0 m	43 ft	1520 kg	3,350 lbs
15.5 m	51 ft	1260 kg	2,800 lbs

## Technical specifications

Max. lifting moment	21.7 mt/213.0 kNm	157090 ft.lbs
Max. lifting capacity	4000 kg/39.2 kN	8820 lbs
Max. hydraulic outreach	15.7 m	51' 6"
Slewing angle	400°	
Slewing torque	3.5 mt/34.3 kNm	25320 ft.lbs
Stabiliser spread (std.)	6.6 m	21' 8"
Max. operating pressure	285 bar	4133 psi
Recommended pump capacity	from 60 l/min to 70 l/min	15,9 US gal./min 18,5 US gal./min
Dead weight (std.)	3350 kg	7250 lbs

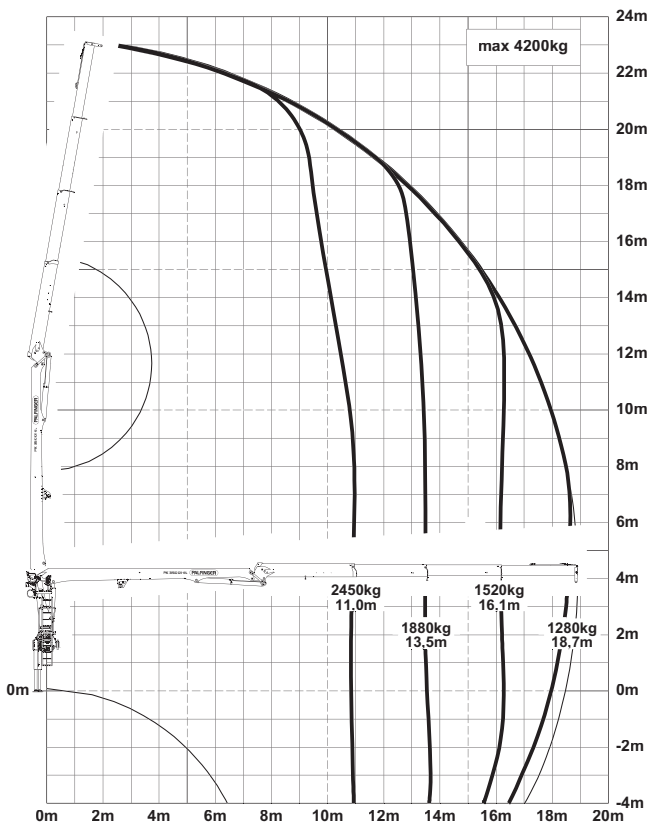
## DIMENSIONS



# PK 35001 EL

# HIGH PERFORMANCE

## PK 35001 EL B SL 4



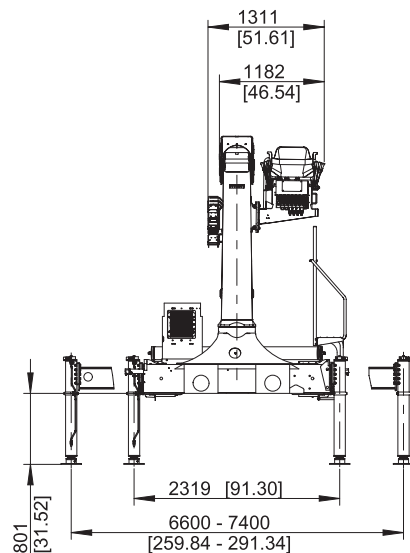
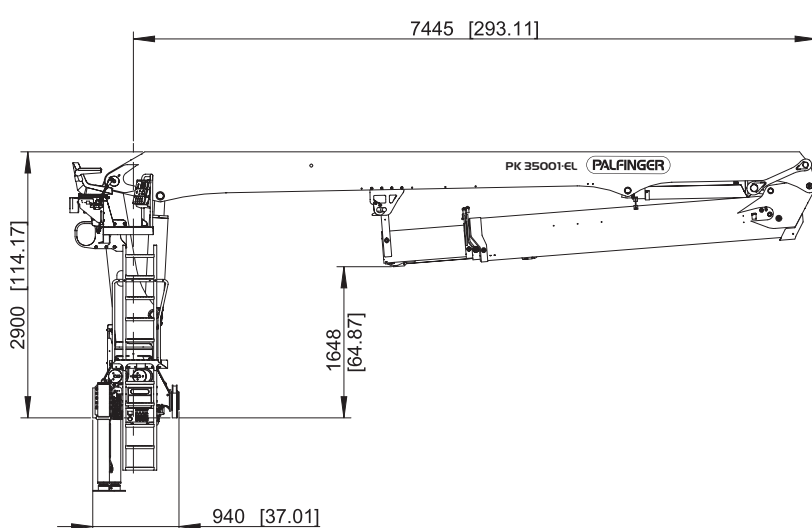
## Lifting capacities

max.		4200 kg	9,300 lbs
11,0 m	36 ft	2450 kg	5,500 lbs
13,5 m	44 ft	1880 kg	4,150 lbs
16,1 m	53 ft	1520 kg	3,350 lbs
18,7 m	61 ft	1280 kg	2,850 lbs

## Technical specifications

Max. lifting moment	31.8 mt/312.0 kNm	230100 ft.lbs
Max. lifting capacity	4200 kg/41.2 kN	9260 lbs
Max. hydraulic outreach	18.9 m	62' 0"
Slewing angle	400°	
Slewing torque	4.5 mt/44.1 kNm	32560 ft.lbs
Stabiliser spread (std./max.)	6.6 m/7.4 m	21' 9" / 24' 3"
Max. operating pressure	320 bar	4640 psi
Recommended pump capacity	from 60 l/min to 80 l/min	15,9 US gal./min to 21,1 US gal./min
Dead weight (std.)	4210 kg	9060 lbs

## DIMENSIONS





KP-H27/35001EM2+EN

Cranes shown in the leaflet are partially optional equipped and do not always correspond to the standard version. Country-specific regulations must be observed. Dimensions may vary. Subject to technical changes, errors and translation mistakes.